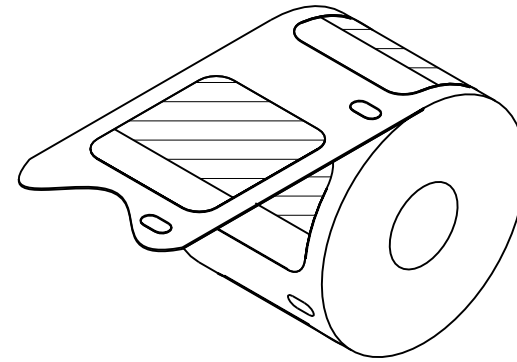
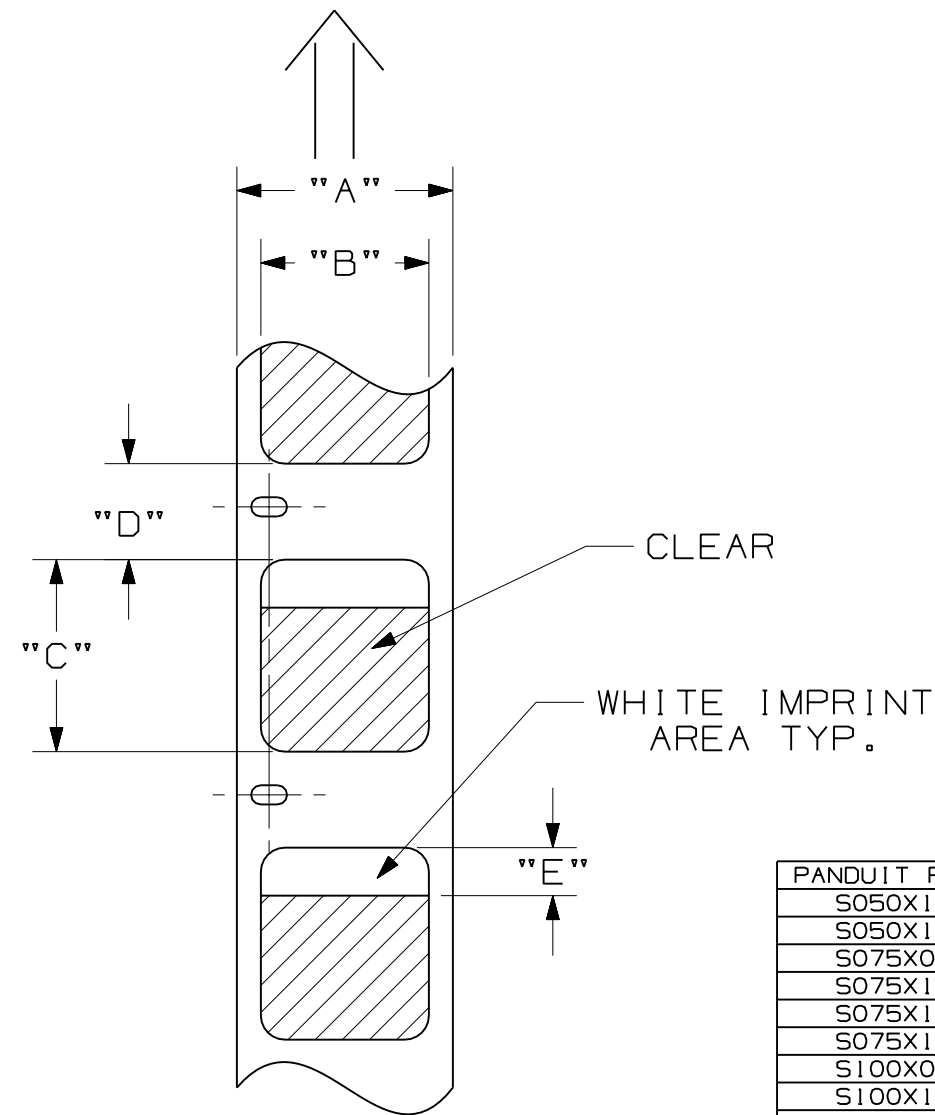


FEED DIRECTION



- NOTES:
 1. SEE MFG. DWG. NO. A61320.
 2. DIMENSIONS IN [] ARE IN MILLIMETERS.

| PANDUIT PART NO. | MATERIAL | "A" | "B" | "C" | "D" | "E" +/- .031 | LABELS/ROLL |
|------------------|------------------|----------------|-----------------|------------------|----------------|----------------|-------------|
| S050X125VAC | CLEAR VINYL GMV3 | 0.85 [21.59] | 0.500 [12.70] | 1.250 [31.75] | 0.250 [6.35] | 0.38 [9.65] | 225 |
| S050X150VAC | CLEAR VINYL GMV3 | 0.85 [21.59] | 0.500 [12.70] | 1.500 [38.10] | 0.250 [6.35] | 0.50 [12.70] | 200 |
| S075X075VAC | CLEAR VINYL GMV3 | 1.13 [28.70] | 0.750 [19.05] | 0.750 [19.05] | 0.250 [6.35] | 0.25 [6.35] | 350 |
| S075X100VAC | CLEAR VINYL GMV3 | 1.13 [28.70] | 0.750 [19.05] | 1.000 [25.40] | 0.250 [6.35] | 0.38 [9.65] | 275 |
| S075X125VAC | CLEAR VINYL GMV3 | 1.13 [28.70] | 0.750 [19.05] | 1.250 [31.75] | 0.250 [6.35] | 0.38 [9.65] | 225 |
| S075X150VAC | CLEAR VINYL GMV3 | 1.13 [28.70] | 0.750 [19.05] | 1.500 [38.10] | 0.250 [6.35] | 0.50 [12.70] | 200 |
| S100X075VAC | CLEAR VINYL GMV3 | 1.13 [28.70] | 1.000 [25.40] | 0.750 [19.05] | 0.250 [6.35] | 0.25 [6.35] | 350 |
| S100X125VAC | CLEAR VINYL GMV3 | 1.13 [28.70] | 1.000 [25.40] | 1.250 [31.75] | 0.250 [6.35] | 0.38 [9.65] | 225 |
| S100X150VAC | CLEAR VINYL GMV3 | 1.13 [28.70] | 1.000 [25.40] | 1.500 [38.10] | 0.250 [6.35] | 0.50 [12.70] | 200 |
| S100X160VAC | CLEAR VINYL GMV3 | 1.13 [28.70] | 1.000 [25.40] | 1.600 [40.64] | 0.275 [6.99] | 0.80 [20.32] | 175 |
| S100X220VAC | CLEAR VINYL GMV3 | 1.13 [28.70] | 1.000 [25.40] | 2.200 [55.88] | 0.300 [7.62] | 1.10 [27.94] | 125 |
| S100X225VAC | CLEAR VINYL GMV3 | 1.13 [28.70] | 1.000 [25.40] | 2.250 [57.15] | 0.250 [6.35] | 0.75 [19.05] | 125 |
| S100X400VAC | CLEAR VINYL GMV3 | 1.13 [28.70] | 1.000 [25.40] | 4.000 [101.60] | 0.250 [6.35] | 1.00 [25.40] | 75 |
| S100X650VAC | CLEAR VINYL GMV3 | 1.13 [28.70] | 1.000 [25.40] | 6.500 [165.10] | 0.250 [6.35] | 1.50 [38.10] | 50 |

CAD FILENAME/LAYERS I00472MC_C10415_SxxxXxxxVAC_01.PRT

| REV | DATE | BY | CHK | DESCRIPTION | ECN | R | CUST | SUP |
|-----|---------|-----|-----|---------------------------|------|---|------|-----|
| 1 | 7-13-06 | RVU | | MISC. REVISIONS TO TABLE. | 4589 | R | | |
| 0 | 5-11-06 | RVU | DWY | DRAWING RELEASE. | 4503 | R | | |

PANDUIT CORP. TINLEY PARK, ILLINOIS
 LS8 SELF-LAMINATING LABELS
 S***X***VAC

UNLESS OTHERWISE SPECIFIED,
 DIMENSIONAL TOLERANCES ARE:
 (.X) ± .031 (.XXX) ± .005
 (.XX) ± .015 ANGLES ± 5°
 UNLESS OTHERWISE SPECIFIED,
 ALL DIMENSIONS ARE GIVEN IN
 INCHES, THIRD ANGLE PROJECTION

DRAWN BY: RVU
 DATE: 2-28-05
 MAT'L: SEE TABLE
 SCALE: NTS
 DRAWING NO.: C10415
 DWG SIZE: B